

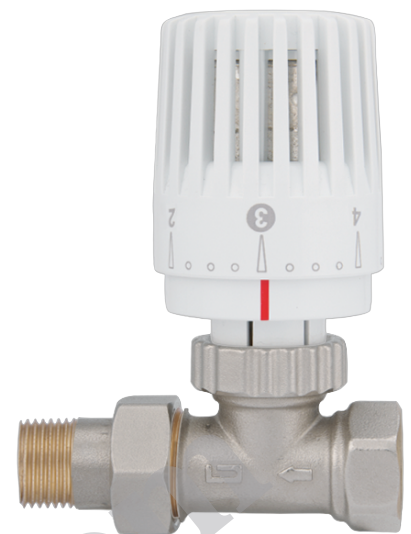
Valves / Radiator Valves / Termostatic Radiator Valves

CONSTRUCTIVE PROPERTIES

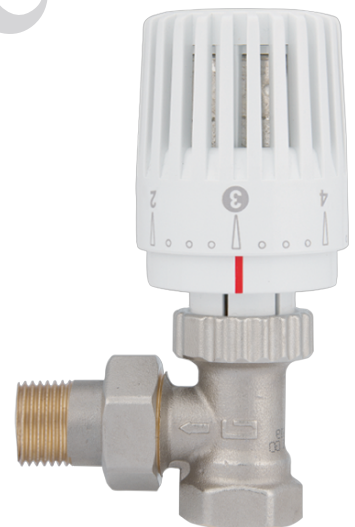
	STANDARD	OPTIONAL
Radiator Connection	G 1/2" B	-
Sealing	NBR	-
Nominal Diameter	DN 15	-
Installation Connection	G 1/2" B	-
Open-Close Wheel	Plastic (White)	-
Material of Case	Brass - Nickel Plated	-
Wheel Cap	ABS	-

USAGE PROPERTIES

Storage Temperature	-20 ... +60 °C	-
Conformity	TS EN 215	-
Max. Water Temp.	120°C	-
Max. Pressure	10 bar	-



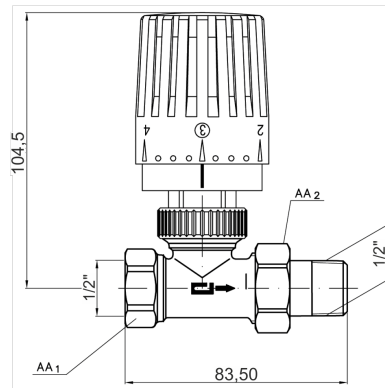
096021
Straight Type



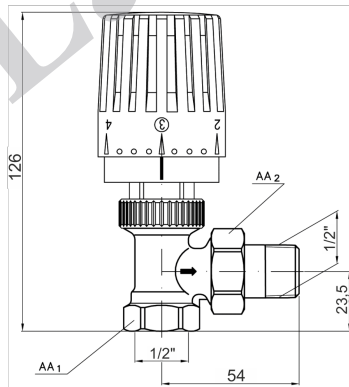
096011
Angled Type

www.Laheghi.com

Valves / Radiator Valves / Thermostatic Radiator Valves



Model No: 096021

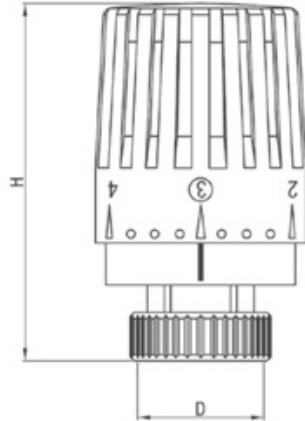


Model No: 096011

PAKKENS® VALF

Radiator Valves

► Thermostatic Head



Usage Temperature

Max. 120 °C

Usage

Can be set between 7-28°C

Areas of Usage

Thermostatic Adaptable Valves, insert valves

Nominal Pressure

PN10

Connection Sizes

M 30x1,5

Optional

Chrome Plated

PN 10

RoHS

TS EN ISO 9001:2008



Connection Sizes

	Code #		D	H	Kg
	Chrome	Beyaz			
Strava 1	0960082000	0960080100	M 30x1,5	85	0,150
Strava 2	0960082100	0960081100	M 30x1,5	85	0,147